



An ISO 9001:2000
Certified Company



FASTENERS



BOLTS



NUTS



WASHERS



CLAMPS

PRODUCT CATALOGUE

www.bullfasteners.in

Fasteners, Bolts, Nuts, Washers & Clamps

At Bull Fasteners, we pride ourselves on being a leading provider of high-quality fasteners, catering to a wide array of industries and applications. Founded on the principles of precision, reliability, and innovation, we have consistently delivered top-notch fastening solutions that meet the highest industry standards. Our commitment to excellence is underscored by our use of cutting-edge machinery and advanced manufacturing processes. This allows us to produce fasteners that are not only robust and durable but also incredibly precise, ensuring superior performance in even the most demanding environments. Customer satisfaction is at the heart of our operations. Our customer-facing quality assurance system is designed to guarantee that every product leaving our facility meets stringent quality criteria. We believe in transparency, real-time feedback, and continuous improvement, ensuring that our customers always receive the best. With a comprehensive range of fasteners available, Bull Fasteners is your go-to partner for all your fastening needs. Whether you're in construction, automotive, manufacturing, or any other sector, we have the right fasteners for you, backed by our promise of quality and reliability. Join us on our journey towards innovation and excellence. Choose Bull Fasteners for fastening solutions that stand the test of time.





*One stop solution for all
your fasteners needs*



Cutting Edge Machinery

Utilizing cutting-edge machinery, Bull Fasteners delivers precision-engineered fasteners with superior strength and reliability, ensuring consistent quality for the most demanding applications.



Customer Facing Quality Assurance System

With a customer-facing quality assurance system, Bull Fasteners ensures top-notch precision and reliability, consistently meeting and exceeding expectations for all your fastening needs.



Every Kind Of Fastener Available

Offering a comprehensive range of fasteners, Bull Fasteners ensures top-notch quality and reliability for all your fastening needs, supported by our cutting-edge technology and customer-focused quality assurance system.



HIGH TENSILE FASTENERS

+91-92165-96888

+91-70090-51637

B-XXIX-536/28-D, Sua Road, Giaspura,
Near Ashirwad Dharam Kanda
Industrial Area-C, LUDHIANA-141 010.
www.bullfasteners.in

Market Distribution

We have presence in more than 140 countries, including

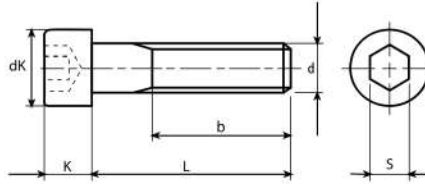


- Germany
- France
- Italy
- Poland
- South Korea
- India
- Philippines
- Britain
- Sweden
- Russia
- Japan
- Malaysia
- Indonesia
- Vietnam



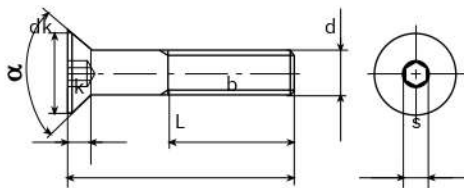
BOLTS

	Size	Grade	Finish Available	Standard	
				Din	ISO
Socket Head Cap Screws	M5 to M42	8.8, 10.9, 12.9	Black, Zinc, HDG	912	4762



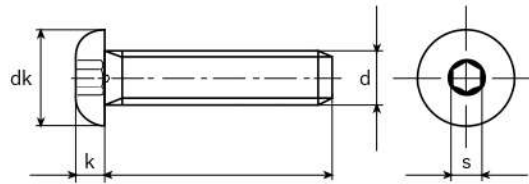
Socket Countersunk Head Screws

M5 to M30	8.8, 10.9	Black, ZINC, HDG	7991	
-----------	-----------	------------------	------	--



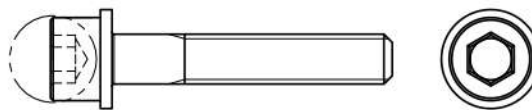
Socket Button Head Screws

M5 to M12	8.8, 10.9	Black, ZINC	7380	7380
-----------	-----------	-------------	------	------



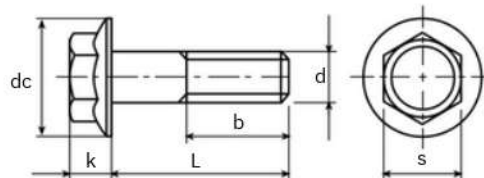
Flange Socket Head Cap Screws

M5 to M12	8.8, 10.9, 12.9	Black, ZINC		
-----------	-----------------	-------------	--	--



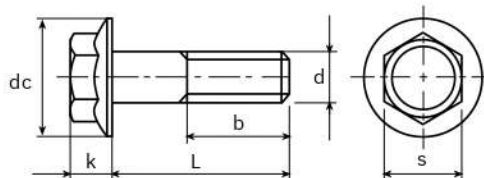
Flange Bolts

M5 to M16	8.8, 10.9, 12.9	Black, ZINC, HDG	6921	8100
-----------	-----------------	------------------	------	------


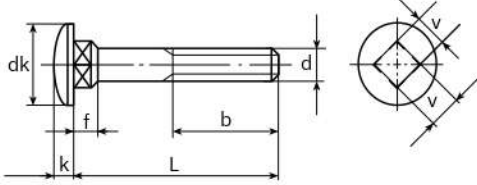

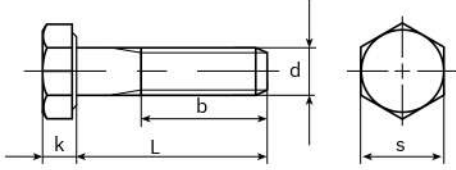

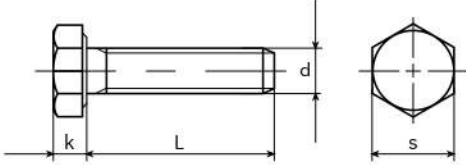

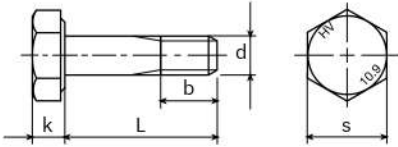

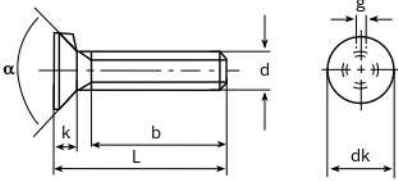

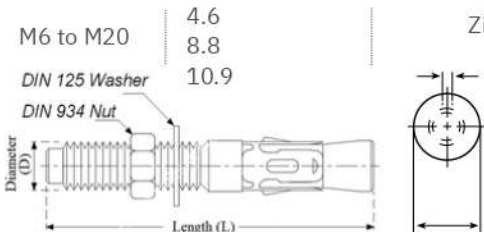


Flange Bolts With Serration



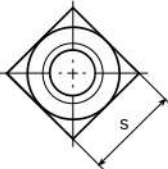
M5 to M16	8.8, 10.9, 12.9	Black, ZINC, HDG	6921	8100
-----------	-----------------	------------------	------	------





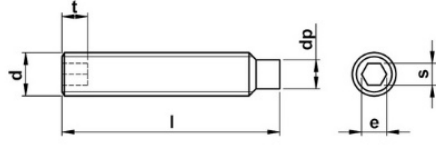


BOLTS

	Size	Grade	Finish Available	Standard	
				Din	ISO
Mushroom Head Square Neck Bolts	M6 to M42	4.8, 8.8	Black, ZINC, HDG	603	8677
					
Hex Head Bolts Partial Threaded	M5 to M64	4.6, 4.8, 5.6, 5.8, 8.8, 10.9, 12.9	Black, ZINC, HDG	931	4014
					
Hex Head Screws Full Threaded	M5 to M64	4.6, 4.8, 5.6, 5.8, 8.8, 10.9, 12.9	Black, ZINC, HDG	933	4017
					
High Strength Structural Bolts	M12 to M20	8.8, 10.9	Black, ZINC, HDG	1614	7412
					
Flat Countersunk Nib Bolts	M6 to M20	8.8, 10.9	Black, ZINC, HDG	614	
					
Wedge anchor	M6 to M20	4.6 8.8 10.9	Zinc		
					




NUTS

	Size	Grade	Finish Available	Din	ISO
Hex Nuts 	M5 to m64	4, 6, 8, 10	Black, Zinc, HDG	934	4032
					
Dome nuts 	M3 to M6	8,10	Black, ZINC, HDG	936	
					
Nylon insert lock nuts/Nylock nuts 	M3 to m64	8,10	Black, Zinc, HDG	6915	7414
					
Flange Nuts With Serration 	M6 to m30	8,10	Black, Zinc, HDG	6923	4161
					
Square Nut 	M6 to m20	8,10	Black, Zinc, HDG	557	
					
Square Weld Nut 	m5 to m16	8,10	Black, ZINC, HDG	928	
					

SOCKET SET SCREWS

	Size	Grade	Finish Available	Standard DIN ISO
Knurled cup point 	M3 to M42	10.9, A2 - 70	Black, Zinc, HDG	916
				
Flat point 	M3 to M42	10.9, A2 - 70	Black, ZINC, HDG	913
				
Dog point 	M3 to M42	10.9, A2 - 70	Black, Zinc, HDG	915
				
Cone point 	M3 to M42	10.9, A2 - 70	Black, Zinc, HDG	914
				
Taper pressure plug 	M3 to M42	10.9, A2 - 70	Black, Zinc, HDG	
				

WASHERS

	Size	Grade	Finish Available	Standard	
				DIN	ISO
Plain Washers	M3 to M64		Black, Zinc, HDG	125-A	7089
					
Spring Lock Washers	M5 to M30		Black, ZINC, HDG	127-B	
					
High Strength Structural Washers	M3 to M64		Black, Zinc, HDG	6916	7416
					
WASHERS- DIN 9021	M3 to M64		Black, Zinc, HDG	9021	7093
					
Square Washer	M3 to M64		Black, Zinc, HDG	436	
					

WEDGE ANCHORS



DIAMETERS : M6 to M24

FINISH: ZINC PLATED

THREADED RODS



DIAMETERS : M3 to M64

MATERIAL : MILD STEEL
ALLOY STEEL
STAINLESS STEEL

FINISH: ZINC PLATED,HDH

BEAM CLAMP



SIZES : M8 to M12

FINISH: ZINC PLATED

GRATING CLAMP



MATERIAL : MILD STEEL
ALLOY STEEL
STAINLESS STEEL

FINISH: ZINC PLATED,HDH

FOUNDATION BOLT



DIAMETERS : M6 to M64

FINISH: ZINC PLATED,HDH

U - BOLT



DIAMETERS : M6 to M64

FINISH: ZINC PLATED,HDH

Quality Policy



We follow below quality assurance plan to ensure zero defect

01

INCOMING OF RAW MATERIAL

Crack Checking & chemical Composition check randomly of each lot.

02

FORGING

Regular check by technical staff at specific frequency

03

MACHINING

Stage wise inspection at specific frequency.

04

HEAT TREATMENT

Temperature of furnace regular check with electronics heat recorder.
Hardness also check with calibrated hardness tester batch wise

05

FINISHING

Regular check by technical staff at specific frequency.

06

FINAL INSPECTION

All the parameters checked as per standards by our technical staff

07

PACKING

all Materials are packed as per customer requirements



BULL FASTENERS

B-XXIX-536/28-D, Sua Road, Giaspura,
Near Ashirwad Dharam Kanda
Industrial Area-C, LUDHIANA-141 010.
E-mail : bullfasteners@hotmail.com